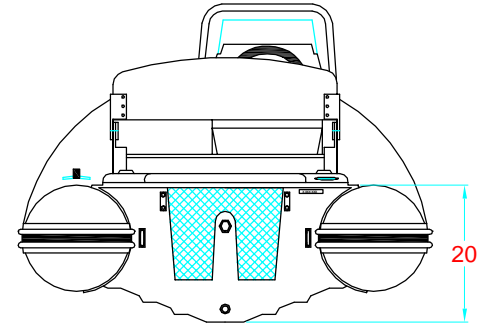
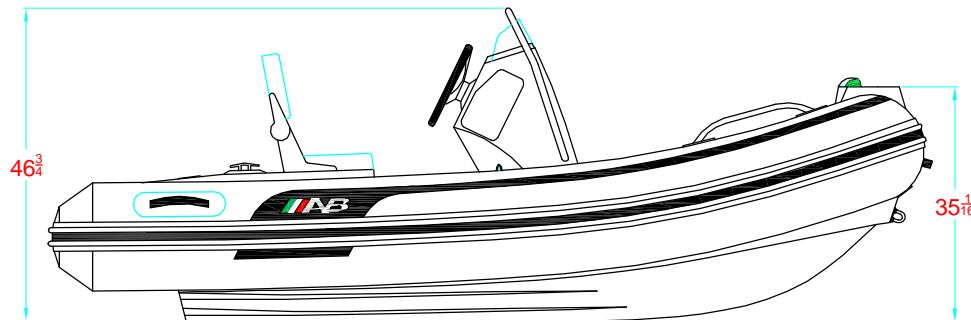


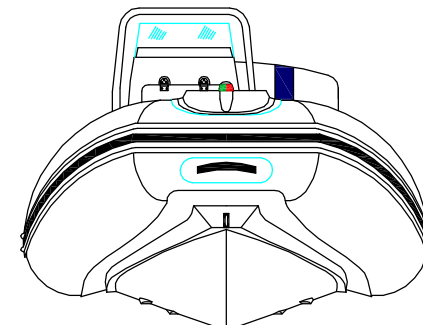
PLANT VIEW
VISTA SUPERIOR



AFT VIEW
VISTA TRASERA



LATERAL PROFILE
VISTA LATERAL




FORE VIEW
VISTA FRONTAL

MAIN PARTICULARS

MAXIMUM LENGTH/ESLORA MAX. _____ 11' (3.35m)
 MAXIMUM BEAM/MANGA MAX. _____ 5' 8" (1.73m)

NOTES: 1.-ALL DIMENSIONS IN INCHES
 TODAS LAS MEDIDAS ESTAN DADAS EN PULGADAS

SUBJECTED: ALEXANDER BARRIOS APPROVED: HERMES GARCIA		TITLE: "OCEANUS 11 VST " GENERAL ARRANGEMENT ARREGLO GENERAL				 DATE 03.08.12 DRAWN HECTOR SUAREZ DATE _____ APPROVED: _____	
		SCALE.	SHEET: 1/1	CODE:	PLAN: ARTIGI.11 VST		